

# Series MP Polysulfone Flowmeters



- Heat Resistant Molded Polysulfone
- Economical and Durable
- Chemically Resistant Wetted Components
- Liquid Flow Ranges From 4 LPM-120 GPM Water
- Unique Sliding Red Indicator-Set Your Upper/Lower Flow Points
- Special Fittings Available Upon Request



**KEY INSTRUMENTS**

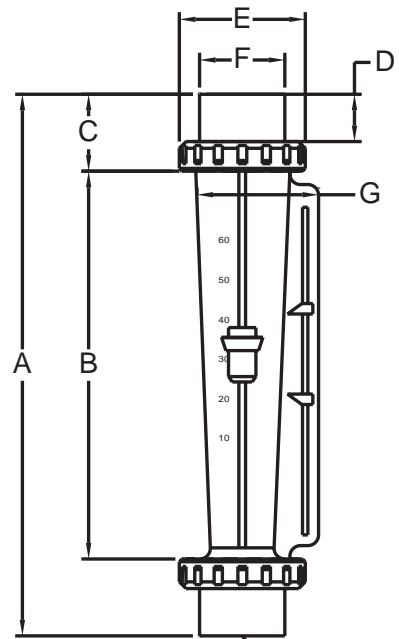
250 Andrews Road, Treviso, PA 19053

800.356.7483 • 215.357.0893  
Fax:215.357.9239

[www.keyinstruments.com](http://www.keyinstruments.com)  
e-mail:[sales@keyinstruments.com](mailto:sales@keyinstruments.com)

# Series MP Polysulfone In-Line Flowmeters

These in-line flowmeters come in a variety of sizes and flow rate ranges for liquid applications. The polysulfone flow meter bodies offer superior chemical resistance for many process applications where chemical resistivity is critical. Internal wetted parts are stainless steel, seals are Viton®, and standard connection fittings are PVC. Special materials are also available upon request. These flowmeters offer direct read scales in LPM or GPM units. Flow rate ranges from 4 LPM to 120 GPM with an accuracy of  $\pm 5\%$  F.S.



S3 or S4  
(AMBOS EXTREMO)

## SPECIFICATIONS

ACCURACY:	$\pm 5\%$ FULL SCALE
TUBE:	POLYSULFONE
FLOAT:	STAINLESS STEEL
TEMPERATURE:	150° F / 65° C MAXIMUM
PRESSURE:	100 P.S.I. MAXIMUM
FITTINGS:	PVC
SEAL MATERIAL:	VITON®

DIMENSIONS IN INCHES (MM)

Connection Size	A	B	C	D	E	F	G
1/2 MNPT	6.44 (164)	3.50 (89)	1.47 (37)	0.97 (25)	1.63 (41)	1.09 (28)	1.44 (37)
1/2 FNPT	6.63 (168)	3.50 (89)	1.47 (37)	1.06 (27)	1.63 (41)	1.08 (27)	1.44 (37)
3/4 MNPT	7.50 (191)	4.25 (108)	1.58 (40)	1.16 (29)	2.00 (51)	1.28 (33)	1.44 (37)
3/4 FNPT	7.50 (191)	4.25 (108)	1.63 (41)	1.19 (30)	2.00 (51)	1.25 (32)	1.44 (37)
1 MNPT	10.69 (271)	6.81 (173)	1.94 (49)	1.38 (35)	2.38 (60)	1.59 (40)	2.31 (59)
1 FNPT	10.13 (257)	6.81 (173)	1.66 (42)	1.38 (35)	2.38 (60)	1.59 (40)	2.31 (59)
1.5 MNPT	13.69 (348)	7.38 (187)	3.16 (80)	2.00 (51)	4.28 (109)	2.75 (70)	4.13 (105)
1.5 FNPT	13.50 (343)	7.38 (187)	3.06 (78)	1.88 (48)	4.28 (109)	2.75 (70)	4.13 (105)
2 MNPT	14.25 (362)	7.38 (187)	3.44 (87)	2.25 (57)	4.28 (109)	2.75 (70)	4.13 (105)
2 FNPT	14.25 (362)	7.38 (187)	3.41 (87)	2.38 (60)	4.28 (109)	2.81 (71)	4.13 (105)

FLOW RANGE				CONNECTION SIZE	
Model Number	LPM	Model Number	GPM	S3	S4
1L11L	.4-4	1L11G	.1-1	1/2"-14 MNPT	1/2"-14 FNPT
1L12L	.8-8	1L12G	.2-2		
1L13L	1.5-15	1L13G	.4-4		
1L14L	2-20	1L14G	.5-5		
2L20L	.5-4	2L20G	.1-1	3/4"-14 MNPT	3/4"-14 FNPT
2L21L	1-10	2L21G	.3-2.5		
2L22L	2-20	2L22G	.5-5		
2L23L	3-30	2L23G	.8-8		
2L25L	5-50	2L25G	1.5-13		
3L30L	3-30	3L30G	.8-8	1"-11.5 MNPT	1"-11.5 FNPT
3L32L	5-50	3L32G	1.5-13		
3L33L	6-60	3L33G	2-16		
3L35L	8-80	3L35G	2.5-21		
3L36L	10-100	3L36G	3-26		
4L40L	15-150	4L40G	4-40	1.5"-11.5 MNPT	1.5"-11.5 FNPT
4L41L	25-250	4L41G	7-66		
5L42L	30-300	5L42G	8-80	2"-11.5 MNPT	2"-11.5 FNPT
5L43L	45-450	5L43L	12-120		

ORDERING EXAMPLE:  
MP3L35GS3 MP Series for 2.5-21 GPM  
of Water, with 1"-11\_MNPT fittings.

MP	MODEL CODE	FITTING TYPE
	3L35G	S3

\* MPT and FPT (straight thread) fittings available upon request.



250 Andrews Road • Trevoze, PA 19053  
800.356.7483 • 215.357.0893  
Fax: 215.357.9239

www.keyinstruments.com  
e-mail: sales@keyinstruments.com

June 2003

# KEY INSTRUMENTS