

Flo-Rite® Series FR6000 Oxygen & Air Meters

50 PSIG Pressure Compensated Flowmeter Low Cost — High Quality

- Available for use with both oxygen and breathing air
- Flow tube and hood molded of impact resistant, medical-grade Lexan®
- Precision control valve for accurate, leak-free flow control
- Machined brass base with integral DISS fitting and plated with a high gloss chrome-like finish

Oxygen Flowmeter Manifold System

- 2 & 3-Bay Manifolds
- Fully assembled, flow and leak tested
- One inlet port, 2 or 3 outlet ports
- Inlet filters included on all flowmeters
- 8 mounting holes for various mounting orientations
- Multiple manifolds can be linked together



KEY INSTRUMENTS

Flo-Rite® Series FR6000 Oxygen & Air Meters

SPECIFICATIONS

| | |
|---|--|
| Accuracy | ± 0.2 LPM from 1/8 LPM to 4 LPM ± 0.4 LPM from 4 LPM to 8 LPM ± 0.6 LPM from 8 LPM to 15 LPM |
| Connections | 1/8" FNPT Inlet 9/16 - 18" Male DISS Outlet |
| Flow Conditions (other pressures available) | Pressure Compensated @ 50 PSIG |
| Temperature | 150° F / 65° C Maximum |
| Pressure | 100 PSIG / 69 Bar Maximum |
| Seals | Buna-N |

DESCRIPTIONS

FR6000 Oxygen & Air Meters offer economy, accuracy, and reliability in an attractive, easy-to-use instrument. Made with a high-impact resistant Lexan® hood and flow tube, combined with a sturdy machined brass base, these meters will stand up to the rigors of clinical or field use. The durable stainless steel stem valve assures precise control throughout the full flow range, and provides for positive flow shut-off. O-ring seals eliminate the leaks that are commonly associated with plastic base models. Standard meters are calibrated at 50 PSIG inlet pressure for accurate flow measurement under a variety of operating conditions. Quotations for calibration to international specifications are available upon request. Lexan® is a registered trademark of General Electric.

The **Oxygen Flowmeter Manifold System**, available in 2-bay or 3-bay configurations, is designed to deliver oxygen to separate locations from a single source. The system consists of a precision machined stainless steel manifold with Series FR6000 flowmeters. The system is fully assembled, flow & leak tested, and is available in three flow ranges: 3-1/2 LPM, 8 LPM and 15 LPM of Oxygen.

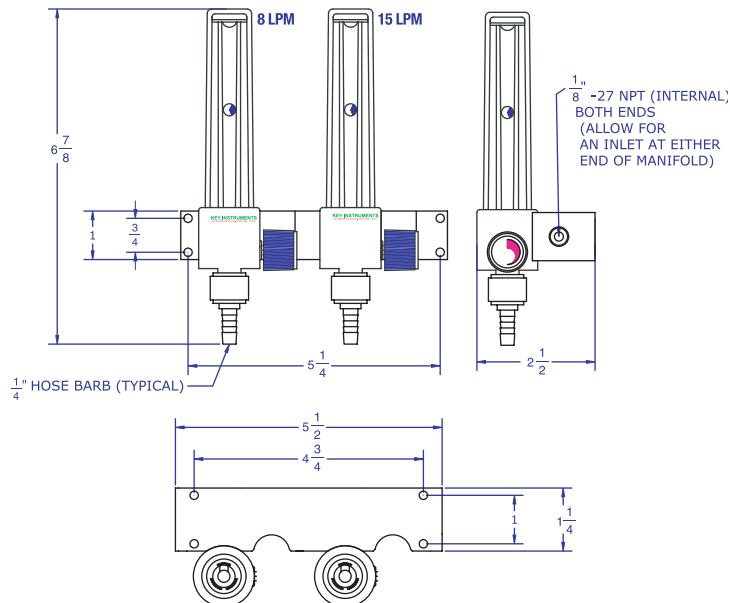
ORDERING INFORMATION

for FR6000 Flowmeters (other gases and flow ranges available)

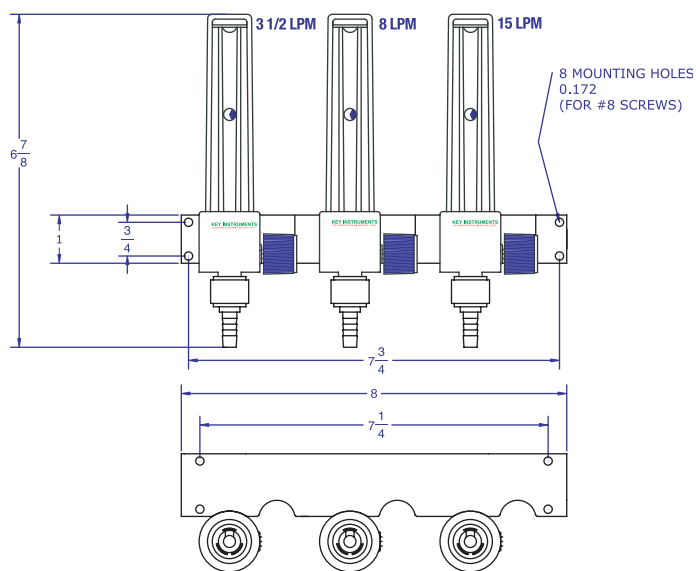
| FLOW RANGE | OXYGEN METER | AIR METER |
|-----------------|--------------|-----------|
| 1/8 - 3 1/2 LPM | F024M | — |
| 1/4 - 8 LPM | F025M | F092M |
| 1/2 - 15 LPM | F026M | F093M |

**FDA Registered
Medical Device Manufacturer**

2-Bay Manifold System



3-Bay Manifold System



ORDERING INFORMATION for Manifold Systems

| DESCRIPTION | PART NUMBER |
|---|------------------------------|
| 3-Bay Manifold System | A009 |
| 2-Bay Manifold System | A010 |
| Plug for Empty Flowmeter Bay | A011 (ordered separately) |
| Alternate Flowmeter Configurations | Available Upon Request |