

Brooks® Models 5866E & 5866M

Elastomer and Metal Seal Pressure Controllers



*Model 5866E
Elastomer Seal
Pressure Controller*



*Model 5866M
Metal Seal
Pressure Controller*

GENERAL FEATURES

- Integral pressure transducer
- Electropolished wetted surfaces (optional)
- High accuracy
- High leak integrity
- Suitable for upstream or downstream control
- Normally closed valve (normally open valve optional)
- Current or voltage signal
- External valve control capability
- Electrically activated valve override
- Wide range of full scale pressures
- Eliminates droop, hysteresis and boost

Brooks® Models 5866E & 5866M

DESCRIPTION

The Brooks® Model 5866 Series Pressure Controllers accurately measure and control upstream or downstream pressure. The heart of the system is a solid state pressure transducer which produces an electrical output proportional to pressure. This signal is used to operate the integral control valve and to provide an output signal.

SPECIFICATIONS

Flow Ranges*

Any range from 0 to 3 sccm up to 0 to 30,000 sccm N₂

***Standard pressure and temperature in accordance with SEMI (Semiconductor Equipment and Materials Institute) standard: 0°C and 101 kPa (760 torr).**

Pressure Ranges

7.25 psia to 1450 psia full scale (Elastomer Seal)

7.25 psia to 72.5 psia full scale (Metal Seal)

Control Range

20 to 1

Accuracy

±0.5% full scale including linearity and hysteresis

Repeatability

±0.1% full scale

Pressure Ratings

Maximum design: 1450 psia

Maximum transducer:

21.75 psia for 0-14.5 psia full scale

108.5 psia for 14.5-72.5 psia full scale

435 psia for 72.5-290 psia full scale

1450 psia for 290-1450 psia full scale

(PED) Pressure Equipment Directive

(97/23/EC) as Sound Engineering Practice (SEP).

Leak Integrity, Inboard to Outboard

1 x 10⁻⁹ atm cc/sec Helium max. (Elastomer Seal)

1 x 10⁻¹⁰ atm cc/sec Helium max. (Metal Seal)

Temperature Coefficient

0.1% full scale/°C

Zero Stability

0.01% full scale per 30 days

Input/Output Offset

<0.2% full scale, (Voltage)

<1.5% full scale, (Current)

Proportional Gain

Adjustable from 1 to 200

Integration Time

Adjustable from 0.05 to 5 seconds

Control Action

Upstream or downstream pressure control (Figure 1)

Materials of Construction

	5866E	5866M
Wetted Parts	316 SS	316L Var SS
Ext./Internal Seals:	fluoroelastomers	Nickel 200316
Valve Seats:	Viton® fluoroelastomers	Nickel 200316LSS
Options	Buna-N Teflon® Kalrez®	N/A

Mechanical Connections

Model 5866E Standard: 1/8" or 1/4" Stainless Steel Compression Fittings. Optional: 1/4" VCO™ or VCR™
 Model 5866M Standard: 1/4" VCR.

Electrical Connections

D-Connector (DA-15P)

Remote Pressure Sensor Input

Standard: 0-5 Vdc; Optional: 0-10 Vdc

Pressure Setpoint Signal

Standard: 0-5 Vdc. Optional: 0-10 Vdc, input impedance 1M ohm; 0(4)-20 mA, input impedance 250 ohm.

5 Volt Reference Output

5 Volts ±0.2% min. load 1 k ohms

Output Signals

Standard: 0-5 Vdc min. load 1 k ohm. Optional:
 0-10 Vdc, min. load 2 k ohm; 0(4)-20mA into max. 500 ohm

Data Sheet

DS-PR-5866E-5866M-PC-eng

November, 2008

Brooks® Models 5866E & 5866M

Power Requirements

N.C. Valve, 3.5 watts; +15 Vdc (±5%) @ 30 mA, -15 Vdc (±5%) @ 170 mA

N.O. Valve, 10.5 watts; ±15 Vdc (±5%) @ 350 mA

Certifications and Approvals

EMC Directive (89/336/EEC) per 61326.

Optionally - Hazardous Area Certification

Europe - ATEX KEMA 03ATEX1532 X
II 3 G EEx nA II T4



Enclosure: IP40
Ambient Temperature: 0°C to 65°C
Per: EN 60079-15: 2003

US and Canada - UL E73889
Class I, Division 2, Groups A, B, C, D; T4

Enclosure Type 1
Ambient Temperature: 0°C to 65°C
Per UL 1604, and CSA 213

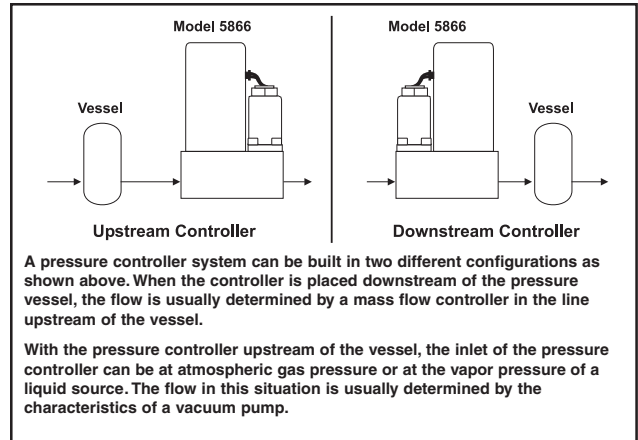


Figure 1 Typical Configurations

TRADEMARKS

- Brooks Brooks Instrument, LLC
- Inconel Inco Alloys International, Inc.
- Kalrez DuPont Dow Elastomers
- Teflon E.I. DuPont de Nemours & Co.
- Viton DuPont Performance Elastomers

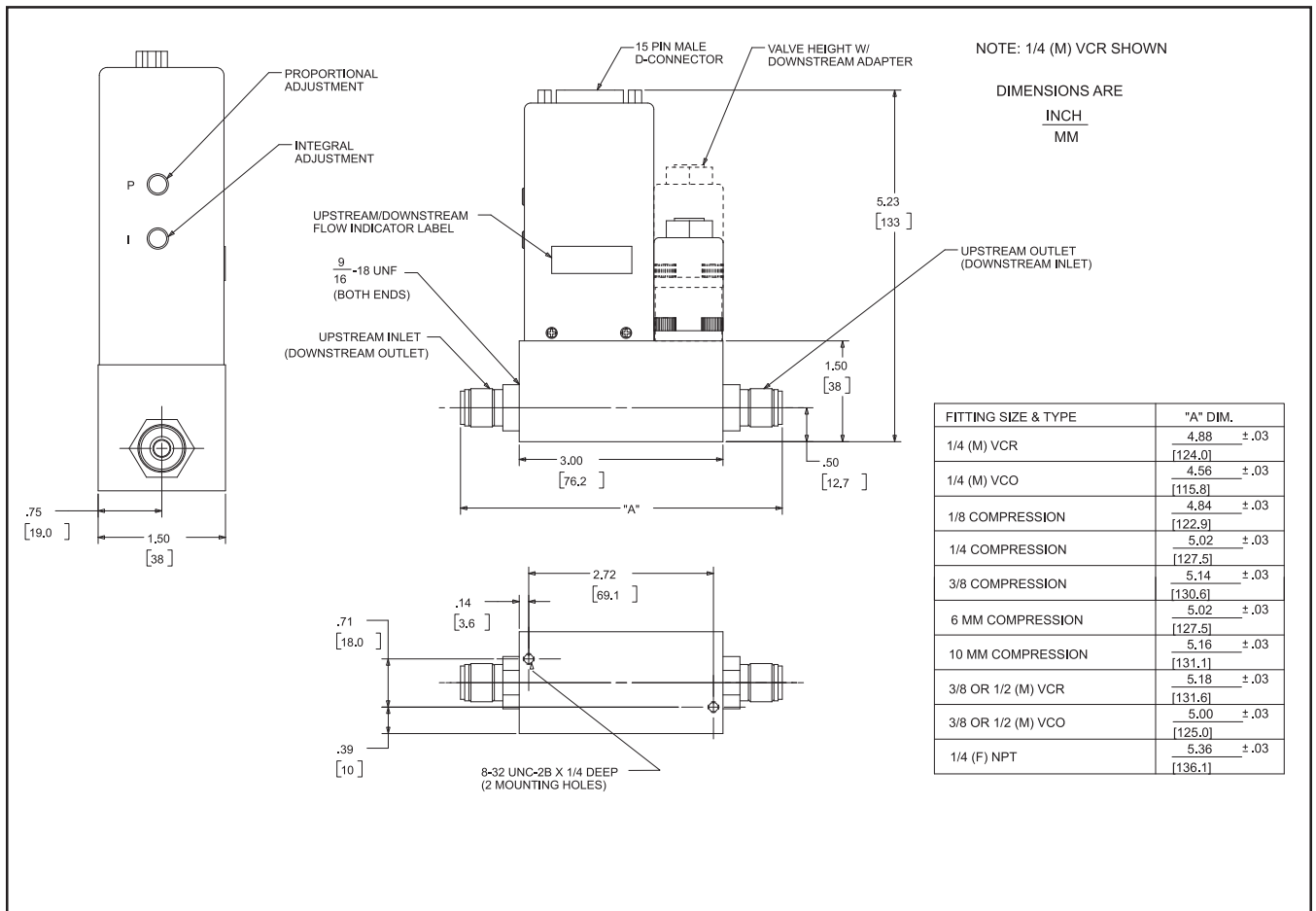


Figure 2 Dimensions of Model 5866E Elastomer Seal

Brooks® Models 5866E & 5866M

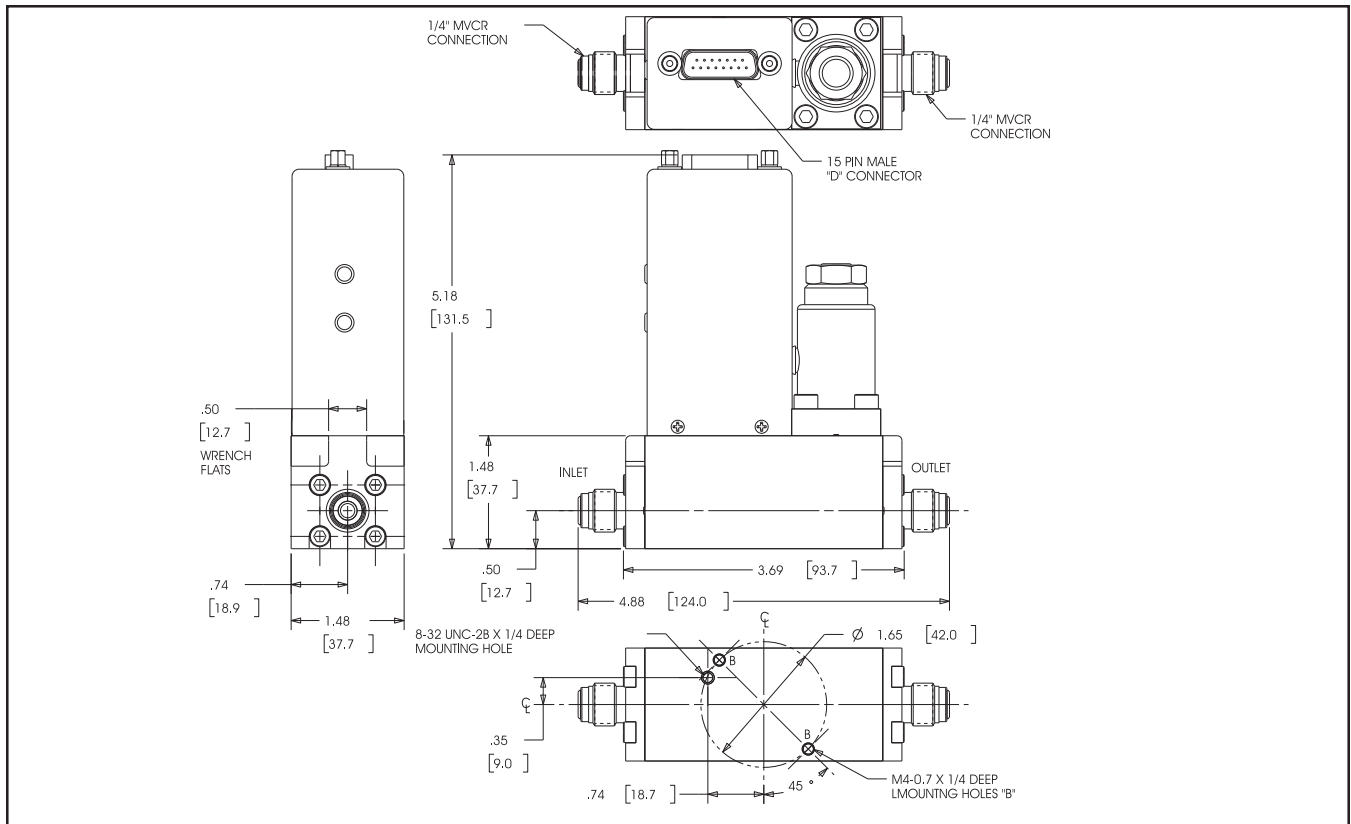


Figure 3 Dimensions of Model 5866M Metal Seal

BROOKS SERVICE AND SUPPORT

Brooks is committed to assuring all of our customers receive the ideal flow solution for their application, along with outstanding service and support to back it up. We operate first class repair facilities located around the world to provide rapid response and support. Each location utilizes primary standard calibration equipment to ensure accuracy and reliability for repairs and recalibration. The primary standard calibration equipment to calibrate our flow products is certified by our local Weights and Measures Authorities and traceable to the relevant International Standards.

Visit www.BrooksInstrument.com to locate the service location nearest to you.

START-UP SERVICE AND IN-SITU CALIBRATION

- Brooks Instrument can provide start-up service prior to operation when required, if necessary under in-situ conditions, and the results will be traceable to the relevant international quality standards.

CUSTOMER SEMINARS AND TRAINING

- Brooks can provide customer seminars and dedicated training to engineers, end users and maintenance persons.

HELP DESK

In case you need technical assistance:

Americas	☎ 1-888-554-FLOW	
Europe	☎ +(31)-318-549-290	Within Netherlands ☎ 0318-549-290
Asia	☎ +011-81-3-5633-7100	

Due to Brooks Instrument's commitment to continuous improvement of our products, all specifications are subject to change without notice.

Brooks Instrument
 407 West Vine Street
 P.O. Box 903
 Hatfield, PA 19440-0903 USA
 T (215) 362-3700
 F (215) 362-3745
 E-Mail BrooksAm@BrooksInstrument.com
www.BrooksInstrument.com

Brooks Instrument
 Neonstraat 3
 6718 WX Ede, Netherlands
 T 31-318-549-300
 F 31-318-549-309
 E-Mail BrooksEu@BrooksInstrument.com

Brooks Instrument
 1-4-4 Kitasuna Koto-Ku
 Tokyo, 136-0073 Japan
 T 011-81-3-5633-7100
 F 011-81-3-5633-7101
 E-Mail BrooksAs@BrooksInstrument.com



BROOKS
 INSTRUMENT