

Series FR5500 Acrylic Flowmeters



KEY INSTRUMENTS

800.356.7483 • 215.357.0893
Fax: 215.357.9239

250 Andrews Road, Treose, PA 19053

www.keyinstruments.com
e-mail: sales@keyinstruments.com

SERIES FR5500 ACRYLIC FLOWMETERS

SPECIFICATIONS	
ACCURACY	+/-5% OF FULL SCALE
METER BODY	MACHINED ACRYLIC METERING TUBE
FLOAT	STAINLESS STEEL
FITTINGS	1-1/2" OR 2" FNPT UNION FITTINGS MADE OF PVC OR STAINLESS STEEL
O-RINGS	VITON®
PRESSURE	100 PSIG MAXIMUM OPERATING PRESSURE
TEMPERATURE	150°F/65°C MAXIMUM OPERATING TEMPERATURE

SERIES FR5500 FLOW RATES- 1-1/2" MODELS			
Model	SCFM AIR*	Model	LPM AIR*
5A75	10-110	5A87	300-3000
5A76	15-160	5A88	450-4600
5A77	20-200	5A89	550-5500
Model	GPM H ₂ O	Model	LPM H ₂ O
5L78	3-30	5L90	10-120
5L79	4-40	5L91	15-150
5L80	5-50	5L92	20-200

*Air Ranges-Stainless Steel Fittings Only

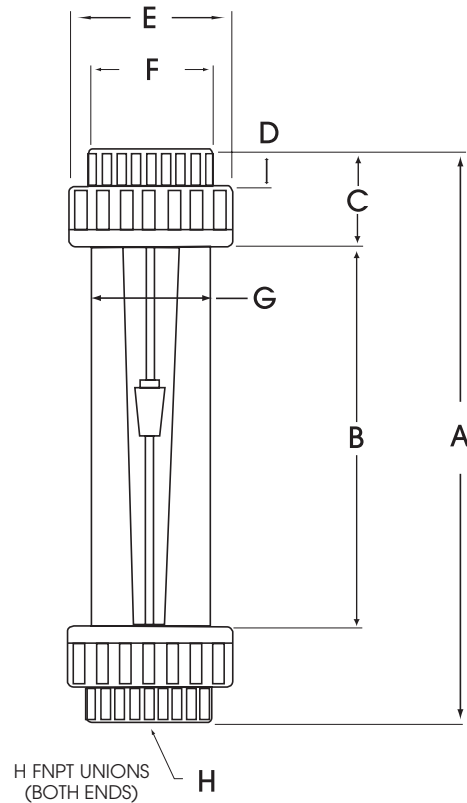
SERIES FR5500 FLOW RATES- 2" MODELS			
Model	SCFM AIR*	Model	LPM AIR*
5A81	25-250	5A93	700-7000
5A82	30-330	5A94	800-9000
5A83	40-400	5A95	1000-11000
Model	GPM H ₂ O	Model	LPM H ₂ O
5L84	6-60	5L96	25-230
5L85	8-80	5L97	30-300
5L86	10-100	5L98	40-400

VITON® IS A REGISTERED TRADEMARK OF E.I. DUPONT.

H	FR5500		Dimensions				Inches	
	A	B	C	D	E	F	G	
1-1/2" PVC	13-1/4	9	2-1/4	7/8	3-1/2	2-1/2	2-1/2	
1-1/2" S.S.	13-3/8	9-1/8	2-1/8	7/8	3-1/2	2-1/2	2-1/2	
2" PVC	13-7/8	8-15/16	2-1/2	1	4-1/8	3-1/16	3	
2" S.S.	13-1/2	9-3/16	2-5/32	15/16	4	3	3	

FEATURES

- Easy-to-read scales for GPM or LPM H₂O and SCFM or LPM air
- Durable one-piece clear acrylic construction
- Stable, easy-to-read stainless steel floats
- Integrated union fittings for easy installation
- PVC or stainless steel fitting options
- Easy disassembly and assembly for maintenance
- Superior quality



ORDERING EXAMPLE

FR	MODEL CODE	FITTINGS
	5A81	SI

SAMPLE: FR5A81SI
25-250 SCFM AIR with 2" SI UNIONS

FITTINGS:
PI=PVC
SI=Stainless steel



KEY INSTRUMENTS

250 Andrews Road, Treviso, PA 19053

800.356.7483 • 215.357.0893
Fax: 215.357.9239

www.keyinstruments.com
e-mail: sales@keyinstruments.com

Sept. 2001