

Flo-Rite™ Series GS Flowmeters



KEY INSTRUMENTS

Flo-Rite™ Series GS Flowmeters

DESCRIPTION

Series GS are borosilicate glass tube flowmeters for liquids or gases available in either 65 or 150 mm scale lengths with corresponding reference scales. Direct read scales are also available. Series GS flowmeters can be configured with a standard or precision control valve on either the inlet, outlet or no valve at all; fittings can be specified in either aluminum or stainless steel; valves can be specified in either brass or stainless steel; O-rings and seals can be provided in Buna-N, Viton® or other optional elastomers.

FEATURES

Standard millimeter scales with flow curves permit multiple fluid & gas use with a single tube

Scales: 65 mm, 150 mm

Water ranges from 21 to 2080 CCM

Air ranges from 50 to 66370 CCM

Flowmeter available with:

- No Valve
- Cartridge Valve
- Precision Control Valve

Inlet Valve standard / Outlet Valve available

E-Z CHANGE design allows quick interchangeability of tube assemblies

Glass tube allows compatibility with most gases and fluids

Rotating lens allows 180° view with magnification

Direct reading scales (Series GD) available upon request

SPECIFICATIONS

Accuracy	65 mm Scale ± 5% Full Scale 150 mm Scale ± 3% Full Scale
Floats	Black Glass, Sapphire, Stainless Steel, Carbonyl or Tantalum
Frame	Aluminum
Wetted Components	Aluminum w/ Buna-N Stainless Steel w/ Viton®
Fittings	1/8" FNPT
Tube	Borosilicate Glass
Valves (optional)	Cartridge Valve Precision Control Valve
Pressure	200 psi / 13.7 Bar Max.
Temperature	200°F / 93°C Max.

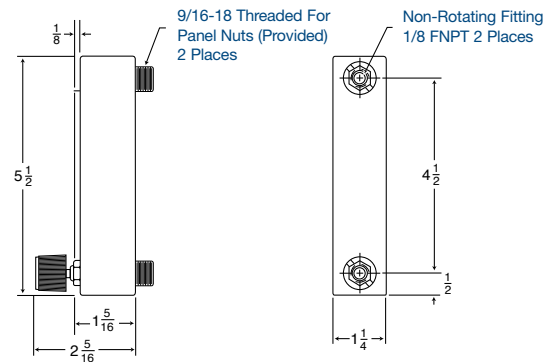
MAXIMUM RANGES AVAILABLE

Turndown ≥ 10:1 with Single Float or Turndown ≥ 20:1 with Dual Floats

65 MM Tubes	51 CCM to 65 LPM Air @ STP 21.4 CCM to 2 LPM Water @ STP
150 MM Tubes	50 CCM to 66 LPM Air @ STP 22.2 CCM to 2 LPM Water @ STP

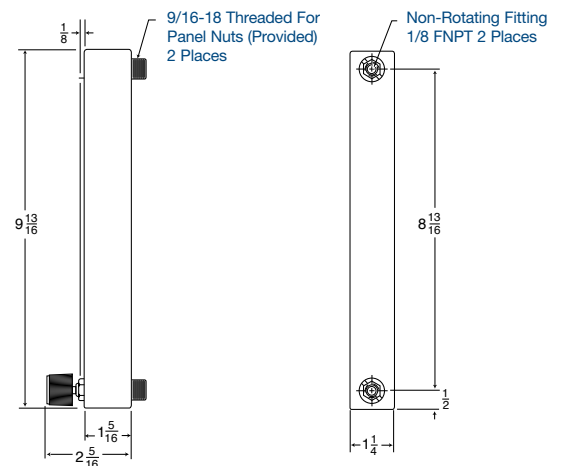
65 MM FLOWMETER

Inches	5½	1 ¹³ / ₃₂	2 ¹¹ / ₃₂	1¼	4½	½
Millimeters	140	35.7	59.5	31.8	114	12.7



150 MM FLOWMETER

Inches	9 ¹³ / ₁₆	1 ¹³ / ₃₂	2 ¹¹ / ₃₂	1¼	8 ¹³ / ₁₆	½
Millimeters	249	35.7	59.5	31.8	224	12.7



ORDERING INFORMATION

Catalog Number Ordering Example: GS60510SVV

EXAMPLE:

GS	60510	S	V	V
----	-------	---	---	---

Glass Flowmeter
Product Code

Model Number

Fittings

A = Aluminum, S = Stainless Steel

Valve

N = No Valve, V = Standard Inlet Valve (Inlet),
P = Precision Valve (Inlet), O = Standard Valve (Outlet),
R = Precision Valve (Outlet)

Seals

V = Viton® (std with stainless steel)

Flo-Rite™ Series GS Flowmeters

65MM FLOW RANGES

Model No.	Float	Float Diameter	Air (CCM)	Water (CCM)
GS60110	G	1/8"	51	
GS60120	S	1/8"	82	
GS60130	ST	1/8"	153	
GS60140	C	1/8"	284	
GS60150	T	1/8"	A 310	
GS60210	G	1/8"	103	
GS60220	S	1/8"	160	
GS60230	ST	1/8"	298	
GS60240	C	1/8"	498	
GS60250	T	1/8"	A 546	
GS60310	G	1/8"	400	
GS60320	S	1/8"	550	
GS60330	ST	1/8"	855	21.4
GS60340	C	1/8"	1275	35.4
GS60350	T	1/8"	A 1360	38.4
GS60410	G	1/8"	900	18.2
GS60420	S	1/8"	1200	29.6
GS60430	ST	1/8"	1800	50.1
GS60440	C	1/8"	2620	76.1
GS60450	T	1/8"	A 2790	82.4
GS60510	G	3/16"	2580	55
GS60520	S	3/16"	A 3350	85
GS60530	ST	3/16"	5030	140
GS60540	C	3/16"	7270	215
GS60550	T	3/16"	B 7710	230
GS60610	G	3/16"	3930	90
GS60620	S	3/16"	A 5080	130
GS60630	ST	3/16"	7510	220
GS60640	C	3/16"	10700	325
GS60650	T	3/16"	B 11315	345
GS60710	G	1/4"	6000	130
GS60720	S	1/4"	B 7800	200
GS60730	ST	1/4"	11450	335
GS60740	C	1/4"	B 16340	500
GS60750	T	1/4"	C 17250	535
GS60810	G	1/4"	10100	235
GS60820	S	1/4"	B 12980	350
GS60830	ST	1/4"	18960	560
GS60840	C	1/4"	B 26525	830
GS60850	T	1/4"	C 28115	885
GS60910	G	1/4"	15750	375
GS60920	S	1/4"	B 20170	545
GS60930	ST	1/4"	29400	880
GS60940	C	1/4"	B 41175	1305
GS60950	T	1/4"	C 43410	1385
GS61010	G	1/4"	23640	570
GS61020	S	1/4"	B 30090	825
GS61030	ST	1/4"	43340	1305
GS61040	C	1/4"	B 61120	1920
GS61050	T	1/4"	C 65850	2055

65MM FLOW RANGES

Model No.	Float	Float Diameter	Air (CCM)	Water (CCM)
GS10110	G	1/8"	50	
GS10120	S	1/8"	78	
GS10130	ST	1/8"	152	
GS10140	C	1/8"	281	
GS10150	T	1/8"	A 315	
GS10210	G	1/8"	106	
GS10220	S	1/8"	167	
GS10230	ST	1/8"	308	
GS10240	C	1/8"	497	
GS10250	T	1/8"	A 540	
GS10310	G	1/8"	400	
GS10320	S	1/8"	555	
GS10330	ST	1/8"	870	22.2
GS10340	C	1/8"	1300	36.2
GS10350	T	1/8"	A 1400	39.5
GS10410	G	1/8"	855	18
GS10420	S	1/8"	1135	27.6
GS10430	ST	1/8"	1710	47.5
GS10440	C	1/8"	2465	73.2
GS10450	T	1/8"	A 2640	78.8
GS10510	G	3/16"	2290	50
GS10520	S	3/16"	A 2980	75
GS10530	ST	3/16"	4480	125
GS10540	C	3/16"	6475	190
GS10550	T	3/16"	B 6805	205
GS10610	G	3/16"	3425	75
GS10620	S	3/16"	A 4465	115
GS10630	ST	3/16"	6600	190
GS10640	C	3/16"	9475	285
GS10650	T	3/16"	B 9990	305
GS10710	G	1/4"	9180	215
GS10720	S	1/4"	B 11990	315
GS10730	ST	1/4"	17810	515
GS10740	C	1/4"	B 24970	765
GS10750	T	1/4"	C 26170	825
GS10810	G	1/4"	23740	565
GS10820	S	1/4"	B 30270	830
GS10830	ST	1/4"	44050	1335
GS10840	C	1/4"	B 61410	1950
GS10850	T	1/4"	C 66370	2080

*NOTE: A, B & C indicate float price adders. Please consult price list for details. Periodically, product revisions occur. Please consult the factory for the latest specifications.

FLOAT MATERIAL CODES

0 = No Float	2 = Sapphire (S)	4 = Carboloy (C)
1 = Black Glass (G)	3 = Stainless Steel (ST)	5 = Tantalum (T)

Other Glass Tube Flowmeter Products

GS-L Series



GS-M Series



GR Series



OptAlarm®



GD Series

Measure Flow Rates In:

Air
Argon
Carbon Dioxide
Helium
Hydrogen
Nitrogen
Oxygen
Water



NIST Calibration Services

Key Instruments employs expert lab technicians to perform calibrations for flowmeters to ensure that we account for and eliminate the variables that could lead to inaccuracies in measurement.

Key Features of our in-house Flowmeter Calibration services:

- Measurement accuracy up to $\pm 0.25\%$ of reading
- Liquid calibration range up to 38 LPM / 10 GPM
- Gas calibration range up to 4000 LPM / 7200 SCFH
- Calibrations performed using primary standards directly traceable to NIST (National Institute of Standards and Technology)



KEY INSTRUMENTS