

# Series FR In-line Flowmeters



## FEATURES

- Easy-to-read English or Metric scales
- Threaded brass inserts for easy installation
- Durable one-piece clear acrylic construction
- Superior Quality
- Water ranges from 1-1200 GPH/4-4200 LPH
- Air Ranges from 6-4800 SCFH/200-13200 LPH
- Stable easy-to-read float
- Easy disassembly/assembly for maintenance



KEY INSTRUMENTS

# Series FR In-line Flowmeters

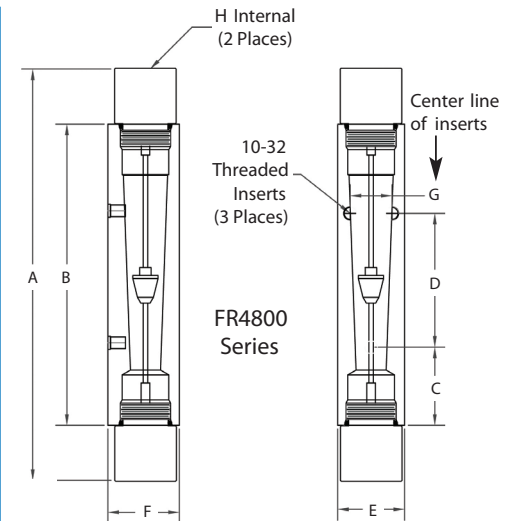
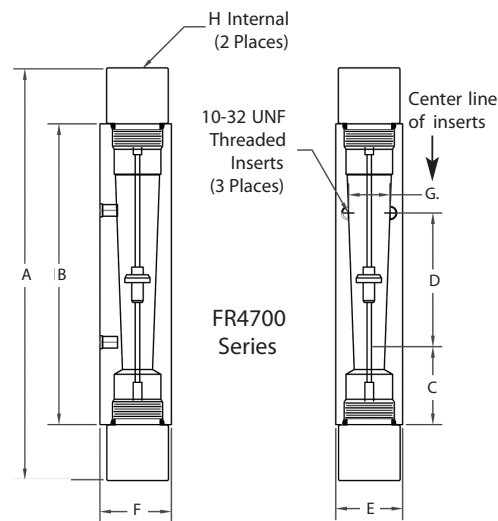
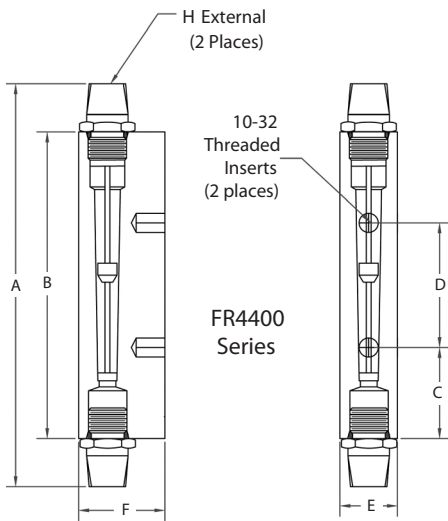
## SPECIFICATIONS

<b>Accuracy</b>	FR4400 ±5% F.S. FR4700 & FR4800 ±3% F.S.
<b>Seals</b>	Buna-N
<b>Temperature</b>	150°F / 65°C Maximum
<b>Press</b>	100 PSIG / 6.9 Bar Maximum
<b>Float</b>	Aluminum, Stainless Steel
<b>Body</b>	Clear Acrylic
<b>Fittings</b>	PVC

## FR4400, FR4700 & FR4800 DIMENSIONS

Inches / Millimeters

Model	A	B	C	D	E	F	G	H
<b>FR4400</b>	5 <sup>11</sup> / <sub>32</sub>	4	1 <sup>1</sup> / <sub>16</sub>	1 <sup>1</sup> / <sub>8</sub>	1	1 <sup>1</sup> / <sub>8</sub>	-	1/4" MNPT
<b>FR4700</b>	9 <sup>1</sup> / <sub>4</sub>	6 <sup>3</sup> / <sub>4</sub>	1 <sup>1</sup> / <sub>8</sub>	3	1 <sup>1</sup> / <sub>2</sub>	1 <sup>5</sup> / <sub>8</sub>	1	1/2" FNPT
<b>FR4800</b>	11 <sup>1</sup> / <sub>4</sub>	8 <sup>3</sup> / <sub>4</sub>	1 <sup>1</sup> / <sub>8</sub>	5	1 <sup>1</sup> / <sub>2</sub>	1 <sup>5</sup> / <sub>8</sub>	1	3/4" FNPT
	286	222	47.6	127	38.1	41	25.4	



## SERIES FR4400 FLOW RATES

### Air Ranges

SCFH	Model Code
6-60	FR44A01PI
15-100	FR44A03PI
25-300	FR44A07PI

LPH	Model Code
200-1700	FR44A09PI
500-3000	FR44A11PI
1000-8500	FR44A13PI

### Water Ranges

GPH	Model Code
1-12	FR44L00PI
4-25	FR44L02PI
6-60	FR44L04PI

LPH	Model Code
4-50	FR44L08PI
15-100	FR44L10PI
30-230	FR44L12PI

## SERIES FR4700 FLOW RATES

### Dual Scale Air Ranges

SCFM	SCFH	Model Code
3-12	180-720	FR47A01PI
3-25	180-1500	FR47A03PI
5-50	300-3000	FR47A05PI

LPM	LPH	Model Code
80-340	4800-20400	FR47A07PI
100-700	6000-42000	FR47A09PI
150-1500	9000-90000	FR47A11PI

### Dual Scale Water Ranges

GPM	GPH	Model Code
0.5-2.5	30-150	FR47L00PI
0.4-5	24-300	FR47L02PI
1-10	60-600	FR47L04PI

LPM	LPH	Model Code
2-10	120-600	FR47L06PI
2-20	120-1200	FR47L08PI
4-40	240-2400	FR47L10PI

## SERIES FR4800 FLOW RATES

### Dual Scale Air Ranges

SCFM	SCFH	Model Code
5-50	300-3000	FR48A01PI
6-70	360-4200	FR48A03PI
10-80	600-4800	FR47A05PI

LPM	LPH	Model Code
150-1400	9000-84000	FR48A07PI
200-1800	12000-108000	FR48A09PI
200-2200	12000-132000	FR48A11PI

### Dual Scale Water Ranges

GPM	GPH	Model Code
1-12	60-720	FR48L00PI
1.5-15	90-900	FR48L02PI
2-20	120-1200	FR48L04PI

LPM	LPH	Model Code
5-45	300-2700	FR48L06PI
6-60	360-3600	FR48L08PI
8-70	480-4200	FR48L10PI